

HIGH QUALITY TURNTABLES AND SLIDEPLATES FOR WHEEL ALIGNMENT EQUIPMENT



PRICE LIST 2019

LIST PRICES/PAYMENT IN DANISH KRONER DKK ONLY

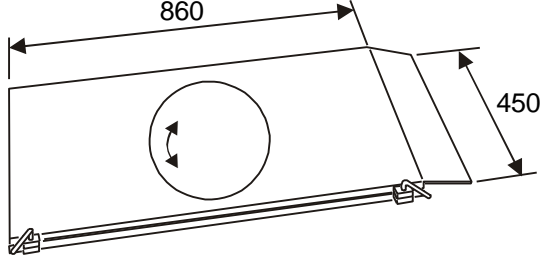
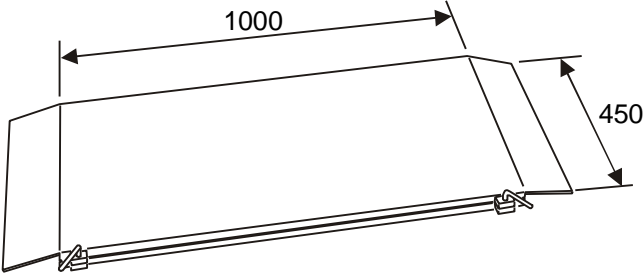
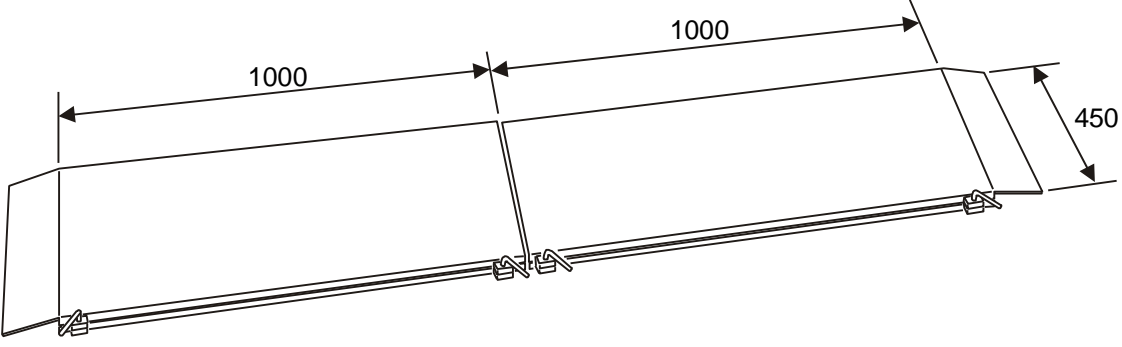
THE PRICES APPLY FOR DELIVERY EX. WORKS
PACKING INCLUDED

SEMLER:OPTIMO RESERVES THE RIGHTS TO CORRECT PRICING/PRINTING ERRORS.

SEMLER : OPTIMO, Banemarksvej 16, DK-2605 Brøndby, DENMARK
Phone: +45 2496 6238 – Phone: +45 4328 8275 – E-Mail: sicl@semmler.dk vaerktoej@semmler.dk

TURNABLES FOR CAR WHEEL ALIGNERS Maximum axle load 2500 kilos. Standard height 49 mm. Full floating. Bearings with nylon balls		PRICE DKK
	<p>Turntable No. 100104 One set (2 pieces)</p> <p>With scale 60°-0°-60° and adjustable pointer for zero setting.</p> <p>Packing specification for one set: One cardboard box, gross weight 18 Kg, Volume 0.03 cubic metre</p>	<p>2690,00</p>
	<p>Turntable No. 100114 One set (2 pieces)</p> <p>With safety stop on the turning plate</p> <p>Packing specification for one set: One cardboard box, gross weight 18 Kg, Volume 0.03 cubic metre</p>	<p>2306,00</p>
	<p>Turntable No. 100124 One set (2 pieces)</p> <p>Wheel stop included. (2 pieces)</p> <p>Packing specification for one set: One cardboard box, gross weight 18 Kg, Volume 0.03 cubic metre</p>	<p>2280,00</p>
	<p>Turntable No. 100114L With safety stop on the turning plate Longitudinal movement of top plate locked</p> <p>One set (2 pieces)</p> <p>Packing specification for one set: One cardboard box, gross weight 18 Kg, Volume 0.03 cubic metre.</p>	<p>2306,00</p>

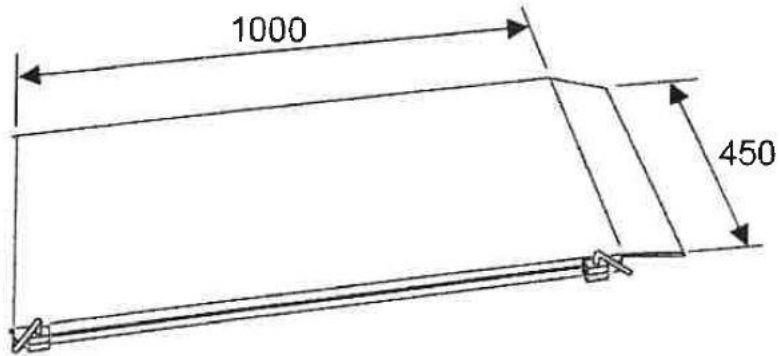
TURNTABLES FOR CAR WHEEL ALIGNERS Maximum axle load 2500 kilos. Standard height 49 mm. Full floating. Bearings with nylon balls		PRICE DKK
	<p>Turntable No. 100124L Longitudinal movement of top plate locked</p> <p>One set (2 pieces) 2280,00</p> <p>Packing specification for one set: One cardboard box, gross weight 18 Kg, Volume 0.03 cubic metre</p>	
	<p>Drive on/off ramps No. 111025 One set (2 pieces) 730,00</p> <p>Weight per set 8 Kg</p> <p>When driving on/off turntables placed upon the floor, ramps should be used to protect the ball bearings of the turntables against damage</p>	
ACCESSORY FOR COMPUTER BASED CAR WHEEL ALIGNERS Performing run-out compensation by moving the car		
<p>LONG RAMPS NO. 100705. Complete set (2pce R. 2pce L).....</p>	<p>5022,00</p>	
<p>Weight per complete set (100705) 66 Kg Weight per ramp set (100706) 33 Kg</p> <p>After run-out compensation the ramps should be pushed slightly backwards to give free movement for the topplate of the turntables during the alignment.</p>		

<p align="center">ACCESSORY FOR COMPUTER BASED CAR WHEEL ALIGNERS Performing run-out compensation by moving the car</p>	<p align="center">PRICE DKK</p>
<p>SLIDEPLATE NO. 100701 with turning plate. One set (2 Pieces).....</p>  <p>Standard height: 40 mm Sideways movement: 40 mm left and right. Longitudinal movement: 2 mm forward and rearward Turning plate: Full rotation. Maximum axle load: 2500 Kg. Weight one set ca. 70 Kg</p> <p>Locking pin spare parts set (2 pce) for 100701, 100702 & 100703. Ord. No. (OF700/LASREP)</p>	<p align="center">9225,00</p> <p align="center">200,00</p>
<p>SLIDEPLATE NO. 100702. One set (2 pieces)</p>  <p>Standard height: 40 mm Sideways movement: 40 mm left and right. Longitudinal movement: 2 mm. Rotation: 6° in and out. Maximum axle load: 2500 Kg. Weight one set ca. 80 Kg</p>	<p align="center">8610,00</p>
<p>SLIDEPLATES NO. 100703, One set (4 pieces).....</p>  <p>To suit vehicles with short and large wheelbase. Standard height: 40 mm Sideways movement: 40 mm left and right. Longitudinal movement: 2 mm. Rotation: 6° in and out. Maximum axle load: 2500 Kg. Weight one set ca. 160 Kg</p>	<p align="center">16553,00</p>

<p align="center">HEAVY DUTY ALUMINIUM TURNTABLES (OFHGV6000) UPGRADED. Maximum axle load 10.000 kilos. Standard height 40 mm. Full floating. Bearings with nylon balls</p>	<p align="center">PRICE DKK</p>
<div data-bbox="151 295 694 683"> </div> <p>To suit heavy duty/commercial vehicles, trucks & busses. Standard height: 41 mm. Base build up 10mm available. Turntable movement: 40 mm. All directions. Maximum axle load: 10.000 Kg. Weight one set ca. 14 Kg</p> <p>ALSO AVAILABLE: 10mm Compensation base plates. (Total height of both Turntable & Compensation plates = 50mm)</p>	<p align="center">10969,72</p>
<p>ADDITIONAL RUNWAY OPTIONS (NEW 2019)</p> <p>100702UR Set of 2 Slide plates (Universal L+R without ramps) To be used in conjunction/compatible with 100701, OFOP3-033H & 100703B. Standard height 40mm. Sideways movement: 40 mm left and right. Longitudinal movement: 2 mm. Rotation: 6° in and out. Maximum axle load: 2500 Kg. Weight one set ca. 70 Kg</p> <div data-bbox="159 1243 853 1556"> </div> <p>OFOP3-033H Set of 2 Stationary Drive-through platforms (Universal L+R with handle) To be used in conjunction/compatible with 100701, 100702UR & 100703B. Standard height 40mm. Weight one set 28 Kg.</p> <div data-bbox="159 1736 853 2072"> </div>	<p align="center">8610,00</p> <p align="center">4305,00</p>

OF100703B Set of 2 Slide plates with 1 ramp for Drive-on/through. (L + R)
To be used in conjunction/compatible with 100701, & OFOP3-033H

8276,00



Complete Runway set consisting of 100701, OFOP3-033H, 100702UR 100703B

30.416,00

