

SEMLER : OPTIMO

**TURNTABLES AND SLIDEPLATES
FOR WHEEL ALIGNMENT EQUIPMENT**



PRICE LIST 2018
LIST PRICES IN EUROPEAN CURRENCY EURO

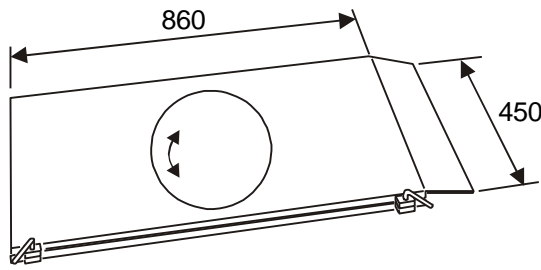
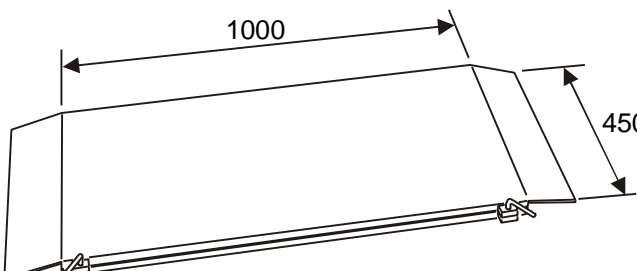
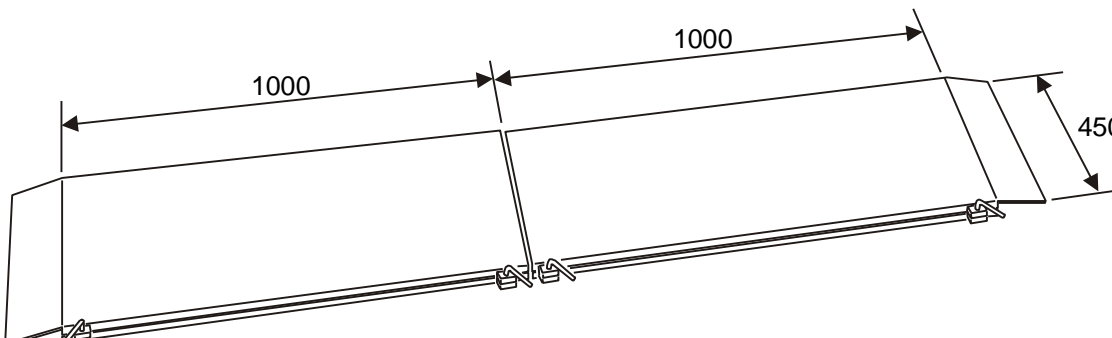
THE PRICES APPLY FOR DELIVERY EX. WORKS
PACKING INCLUDED
SEMLER:OPTIMO RESERVES THE RIGHTS TO CORRECT PRICING/PRINTING ERRORS.

PAYMENT IN DANISH KRONER ONLY (DKK)

SEMLER : OPTIMO, Banemarksvej 16, DK-2605 Brøndby, DENMARK
Phone: +45 2496 6238 – Phone: +45 4328 8275 – E-Mail: sicl@semmler.dk

TURNTABLES FOR CAR WHEEL ALIGNERS Maximum axle load 2500 kilos. Standard height 49 mm. Full floating. Bearings with nylon balls		PRICE EURO
	<p>Turntable No. 100104 One set (2 pieces).....</p> <p>With scale 60°-0°-60° and adjustable pointer for zero setting.</p> <p>Packing specification for one set: One cardboard box, gross weight 18 Kg, Volume 0.03 cubic metre</p>	<p>350,00</p>
	<p>Turntable No. 100114 One set (2 pieces).....</p> <p>With safety stop on the turning plate</p> <p>Packing specification for one set: One cardboard box, gross weight 18 Kg, Volume 0.03 cubic metre</p>	<p>300,00</p>
	<p>Turntable No. 100124 One set (2 pieces).....</p> <p>Wheel Stop included. (2 pieces)</p> <p>Packing specification for one set: One cardboard box, gross weight 18 Kg, Volume 0.03 cubic metre</p>	<p>297,00</p>
	<p>Turntable No. 100114L With safety stop on the turning plate Longitudinal movement of top plate locked</p> <p>One set (2 pieces).....</p> <p>Packing specification for one set: One cardboard box, gross weight 18 Kg, Volume 0.03 cubic metre.</p>	<p>300,00</p>

TURNTABLES FOR CAR WHEEL ALIGNERS Maximum axle load 2500 kilos. Standard height 49 mm. Full floating. Bearings with nylon balls		PRICE EURO
	<p>Turntable No. 100124L Longitudinal movement of top plate locked</p> <p>One set (2 pieces).....</p> <p>Packing specification for one set: One cardboard box, gross weight 18 Kg, Volume 0.03 cubic metre</p>	290,00
	<p>Drive on/off ramps No. 111025 One set (2 pieces).....</p> <p>Weight per set 8 Kg</p> <p>When driving on/off turntables placed upon the floor, ramps should be used to protect the ball bearings of the turntables against damage</p>	95,00
ACCESSORY FOR COMPUTER BASED CAR WHEEL ALIGNERS Performing run-out compensation by moving the car		
<p>LONG RAMPS NO. 100705. Complete set (2pce R. 2pce L).....</p>		654,00
<p>Weight per complete set (100705) 30 Kg</p> <p>After run-out compensation the ramps should be pushed slightly backwards to give free movement for the topplate of the turntables during the alignment.</p>		

<p align="center">ACCESSORY FOR COMPUTER BASED CAR WHEEL ALIGNERS Performing run-out compensation by moving the car</p>	<p align="center">PRICE EURO</p>
<p>SLIDEPLATE NO. 100701 with turning plate. One set (2 Pieces).....</p>  <p>Standard height: 40 mm Sideways movement: 40 mm left and right. Longitudinal movement: 40 mm forward and rearward Turning plate: Full rotation. Maximum axle load: 2500 Kg. Weight one set ca. 70 Kg</p> <p>Locking pin spare parts set (2 pce) for 100701, 100702 & 100703. Ord. No. (OF700/LASREP)</p>	<p align="right">1200,00</p> <p align="right">27,00</p>
<p>SLIDEPLATE NO. 100702. One set (2 pieces).....</p>  <p>Standard height: 40 mm Sideways movement: 40 mm left and right. Longitudinal movement: 2 mm. Rotation: 6° in and out. Maximum axle load: 2500 Kg. Weight one set ca. 80 Kg</p>	<p align="right">1120,00</p>
<p>SLIDEPLATES NO. 100703, One set (4 pieces).....</p>  <p>To suit vehicles with short and large wheelbase. Standard height: 40 mm Sideways movement: 40 mm left and right. Longitudinal movement: 2 mm. Rotation: 6° in and out. Maximum axle load: 2500 Kg. Weight one set ca. 160 Kg</p>	<p align="right">2154,00</p>